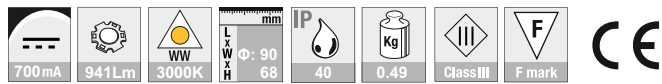


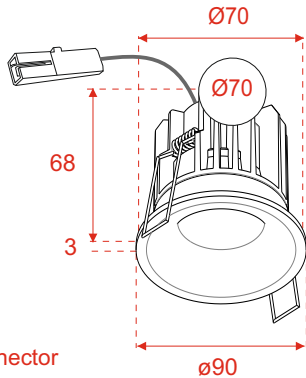
**A0139525 Jales-R WW**  
 15Watt COB-LED 941Lm 3000K  
 White Housing

Lamptype: recessed down-light  
 Reflector: 30.5° with homogeneous light beam  
 CRI: 80  
 Housing: solid Aluminium white powdercoated RAL9003  
 Weight: 0.49 Kg  
 Dimensions fixture:  $\phi 90$  x H68 mm  
 Fixture Classification: IP-40 Class III

Operating Power: Constant Current 700mA  
 Vf: 20.75  
 Fixture included:  
 • 20cm mounted cable with male connector



Dimensions in mm



included:  
 200mm mounted cable  
 with mounted male connector

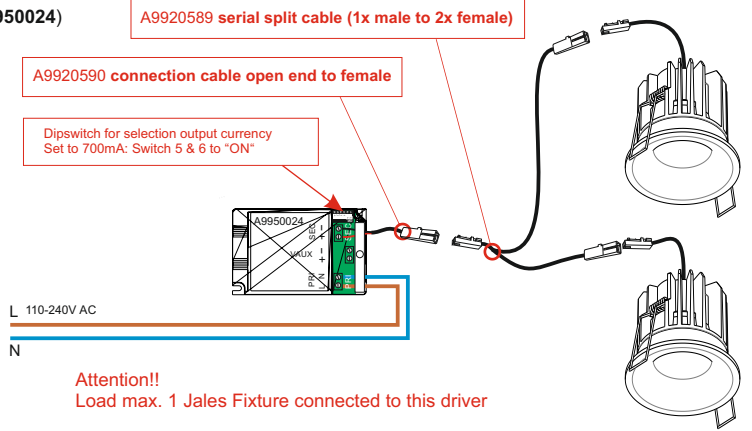
Height	Jales-R WW (3000K) 30.5°	Diam.	Avg.	Nadir.E
0.5m		0.27m	6534 Lx	8872 Lx
1.0m		0.55m	1633 Lx	2215 Lx
1.5m		0.82m	726 Lx	985 Lx
2.0m		1.09m	408 Lx	554 Lx
2.5m		1.36m	295 Lx	400Lx
3.0m		1.64m	181 Lx	246 Lx

**A Non-Dimmable**, using the LED Constant current Driver 700mA 35-50W (ordernr: **A9950024**)

Housing: White ABS  
Weight: 0.15Kg  
Dimensions in mm: 124.5 x 79 x 22

**Constant current must be set to 700mA**  
**Set microswitches 1 + 2 to "ON"**

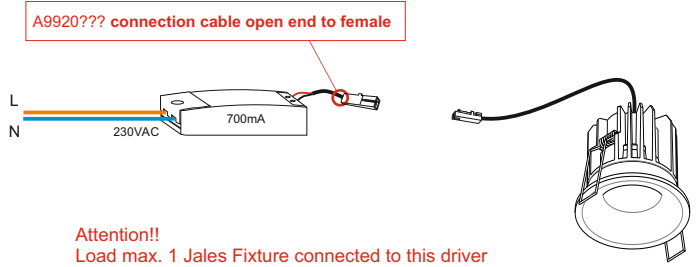
@230VAC 700mA 50W / Vf: 2-74  
@110VAC 700mA 35W / Vf: 2-70



**Attention!!**  
Load max. 1 Jales Fixture connected to this driver

**B Non-Dimmable**, using the LED Constant current Driver 700mA 18W (ordernr: **A9950700**)

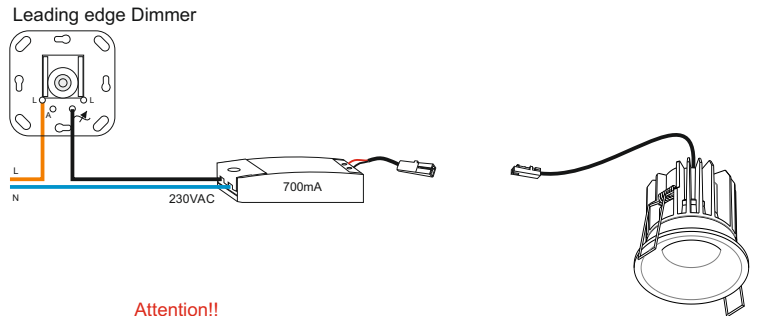
Housing: Blue ABS  
Weight: 0.1 Kg  
Dimensions in mm: 113 x 44 x 37.5  
Primair: 220-240V AC / 0.11A  
Sec: constant current 700mA  
Forward Voltage: 6-26V  
Working Temperature: -20° ~ +50°C  
Tc = 90°C  
Classification: IP-20 Class II



**Attention!!**  
Load max. 1 Jales Fixture connected to this driver

**C Dimmable by leading edge dimmer**, using the LED Constant current Driver 700mA 18W (ordernr: **A9950700**)

Housing: Blue ABS  
Weight: 0.1 Kg  
Dimensions in mm: 113 x 44 x 37.5  
Primair: 220-240V AC / 0.11A  
Sec: constant current 700mA  
Forward Voltage: 6-26V  
Working Temperature: -20° ~ +50°C  
Tc = 90°C  
Classification: IP-20 Class II



**Attention!!**  
Load max. 1 Jales Fixture connected to this driver

**D Dimmable**, using the LED Constant current Driver 700mA 15-25W (ordernr: **A9950010**)

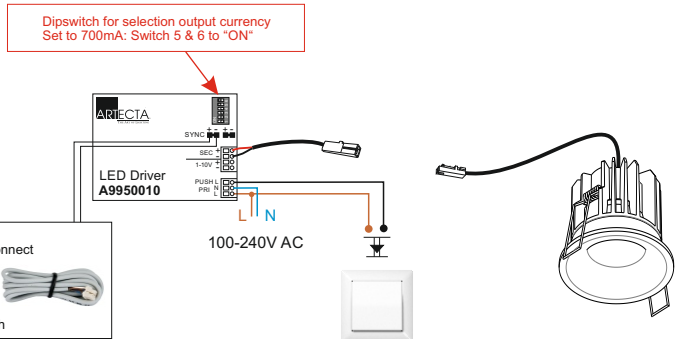
Housing: White ABS  
Weight: 0.11Kg  
Dimensions in mm: 103 x 67 x 21

**Constant current must be set to 700mA**  
**Set microswitches 1 + 2 to "ON"**

@230VAC 700mA 25W / Vf: 2-36  
@110VAC 700mA 15W / Vf: 2-28



**A9950017**  
Synchronise connection-cable to connect the next driver  
Max 10 drivers can be connected and controlled by one Pulse Switch



Pulse Switch:  
• Short push to turn ON and OFF  
• Push and hold to increase or decrease light intensity

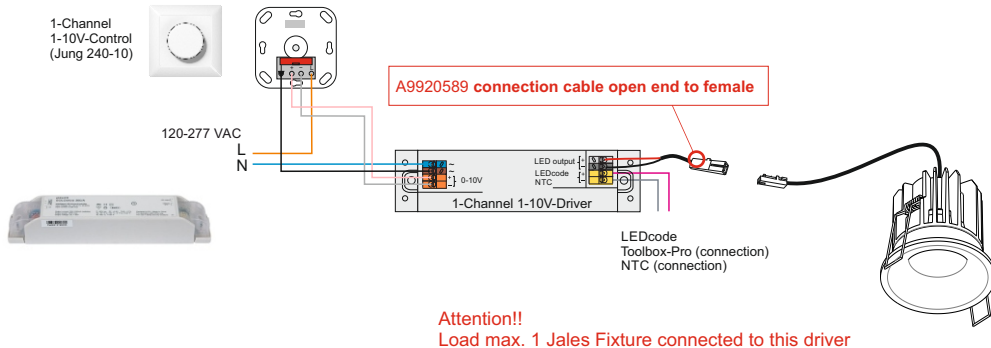
**Attention!!**  
Load max. 1 Jales Fixture connected to this driver

**E Dimmable by 1-10V, using the A9950360 LED Constant current Driver EldoLED SoloDrive-30W SL0361 A**

Housing: White ABS  
 Weight: 0.21Kg  
 Dimensions in mm: 210 x 40.4 x 33.5

LED constant current driver max. 30W  
 Primair: 120-277VAC 50/60Hz  
 Sec: 700mA 25W / Vf: 2-55

**Constant Current output is standart set to 350mA**  
**For 700mA setting, the toolbox A9915056 is required**



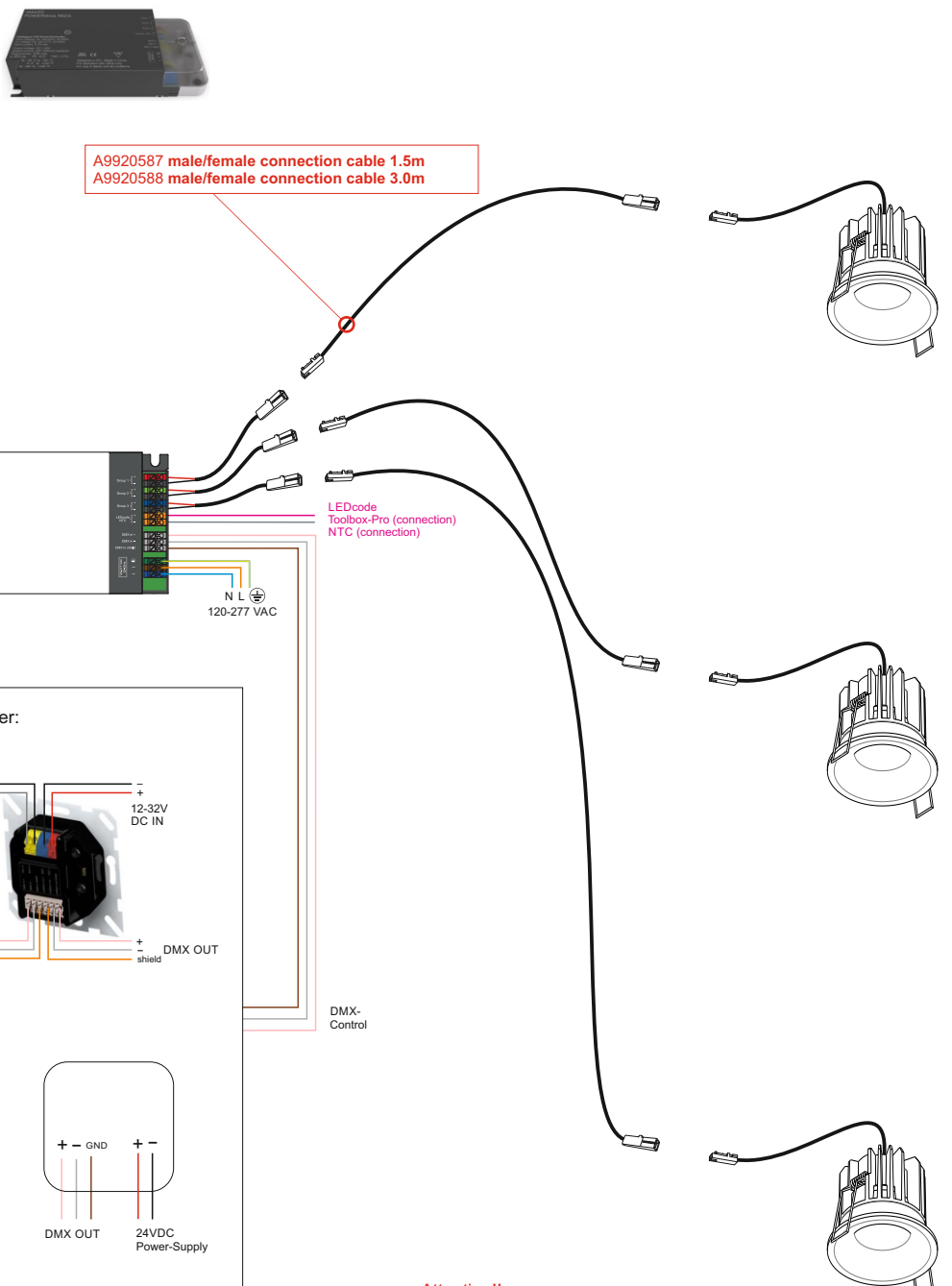
**F Dimmable by DMX-512, using the A9950044 3-channel EldoLED PowerDrive-50W (PWR0562 A1)**

- 3 separately Dimmable LED outputs
- DMX/RDM compatible
- controllable by 3 DMX-Adresses

**The constant current output is standart set to 350mA**  
**and must be set to 700mA by using the Toolbox Pro A9915056**  
**Also for other settings, the Toolbox Pro is required**

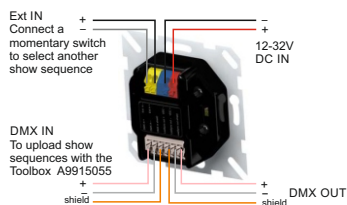
Universal Voltage: 120-277VAC 50/60Hz  
 Vf: min. 2V, each output  
 Vf: max. 55V, each output

Dimensions in mm LxWxH: 152.5 x 76 x 30.1  
 Weight: 0.372 Kg



**Advised compatible DMX Dimmable controller:**

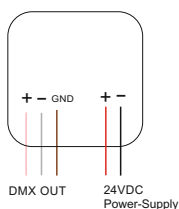
**A9915050 Dimwheel**



**A9915062(63) ART-8D**



ART-8D  
 DMX-Control  
 Dimming each group separately and creating 8 dimming scenes



or any DMX-controll Panel

**A9950048 EldoLED PowerDrive-600W PW6060R**

LED constant current driver max.600W

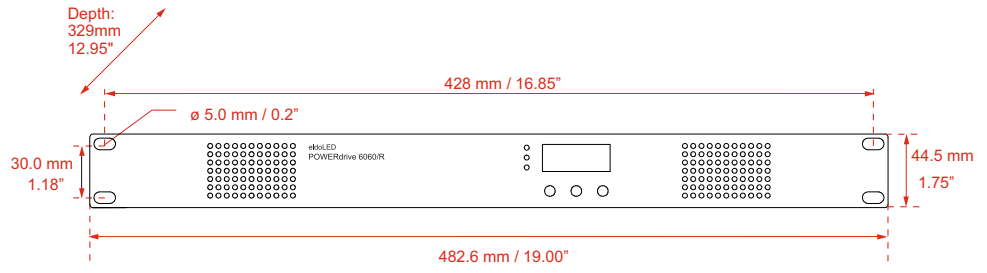
- Dimmable by 0-10V,
- Dimmable by DALI (4x DALI group)
- Dimmable by DMX & RDM (32x DMX channel)

- Stand-alone with 9 default shows, up to 20 user-defined shows, uploadable with TOOLbox and TOOLbox software

**Constant Current output is standart set to 350mA**  
**Connecting the Fortaleza fixture, it must be set to 700mA**

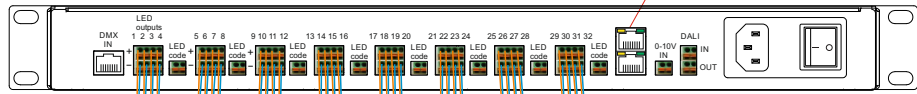
Universal input Voltage: 120V~277V 50/60Hz  
 Led outputs: 32x 200mA-1050mA  
 Power factor: > 0.9  
 min/max forward Voltage: 32x 2-48VDC

- Full dimming control: 100% to 0%,  
 Choice of linear or logarithmic dimming curve  
 Maximum (rated) power available over wide LED-voltage (30-55V) range  
 NTC interface per 4 LED-outputs for robust thermal management  
 Dimensions L x W x H (mm):482.6(19")x324x44.5(1HE)  
 Weight: 6.1 Kg  
 Worldwide Certifications:  
 • CE,  
 • IEC 61347, IEC 62384, EN 55015,  
 EN 55022, IEC 61000-3-2, IEC 61547  
 • UL: pending



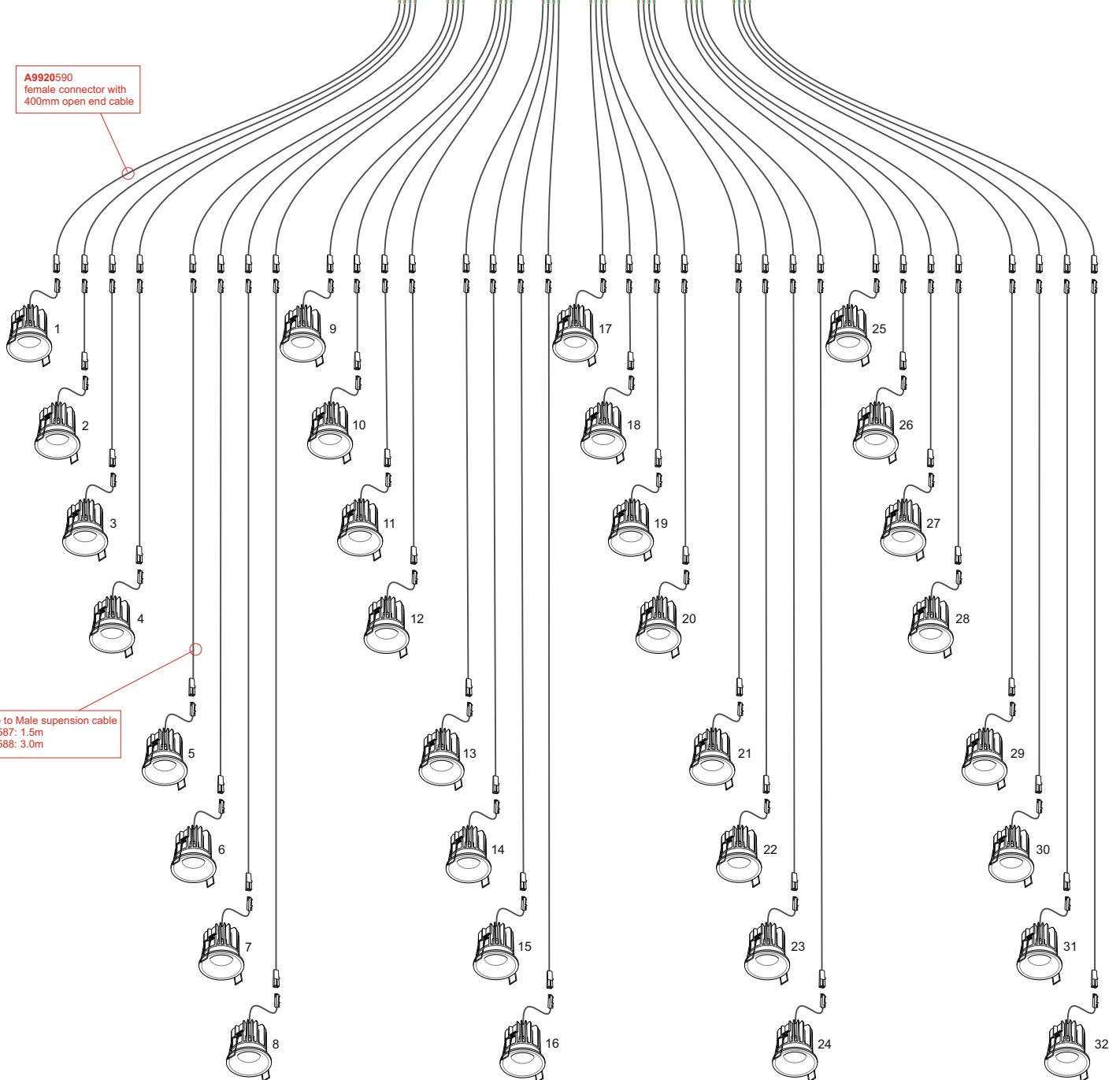
**DMXRDM DALI 0-10V**  
**CE LEDcode SHOWmaster**

DMX 2x RJ-45 (CAD-5)  
 orange/white = DMX+  
 orange = DMX-  
 Brown/white = GND (shield)



A9920590  
 female connector with  
 400mm open end cable

Female to Male suspension cable  
 A9920587: 1.5m  
 A9920588: 3.0m



The Driver has 32 outputchannels. Load max. 1x Fortaleza fixtures, serial connected, to one output-channel and total max. 32 Fortaleza fixtures to one driver.  
 To avoid damages to the LED, all cables & plugs must be connected before switching on the power !