

# Installation Instruction

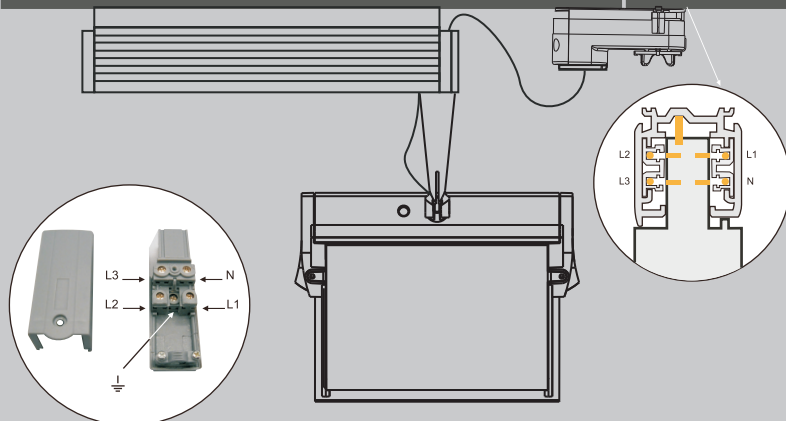
# ARTECTA

THE ART OF LIGHTING

## ZÜRICH SERIES

Art.

A0340221  
A0340222  
A0340223



## 3-PHASE TRACK INSTALL

### INSTALLATION INSTRUCTION

#### CAUTION:

This unit is IP20 and only for indoor use  
Only a qualified electrician can connect the wiring to the track adapter  
Do not service the ballast or other voltage live components.  
In case of any doubt, always contact a qualified electrician.

Before installing the fixture, make sure the power is switched OFF and follow the A, B, C steps as the figure for installation or replacement of the bulb

- Step: A. open the protection glass(loose screws)  
B. install the new bulb (push) and mount the protection glass (clock screws)

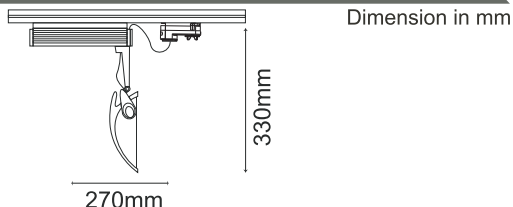
Before installing the fixture into the track, make sure the power is switched OFF ( D.E.F step 6 ).

- C. connect the adapter and box into the track(step 1-6)and switch on the power (step 7).

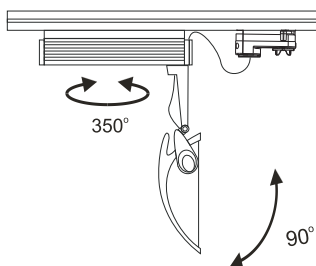
### CLEANING INSTRUCTION

1. Before cleaning, ensure that the power is switched off.
2. Fixture unit and bulb can be hot. Wait until the unit has cooled
3. Use only a soft cloth to clean the fixture, dampened with mild cleaner if needed for resistant dirt. Warning: do not use alcohol or other solvents!

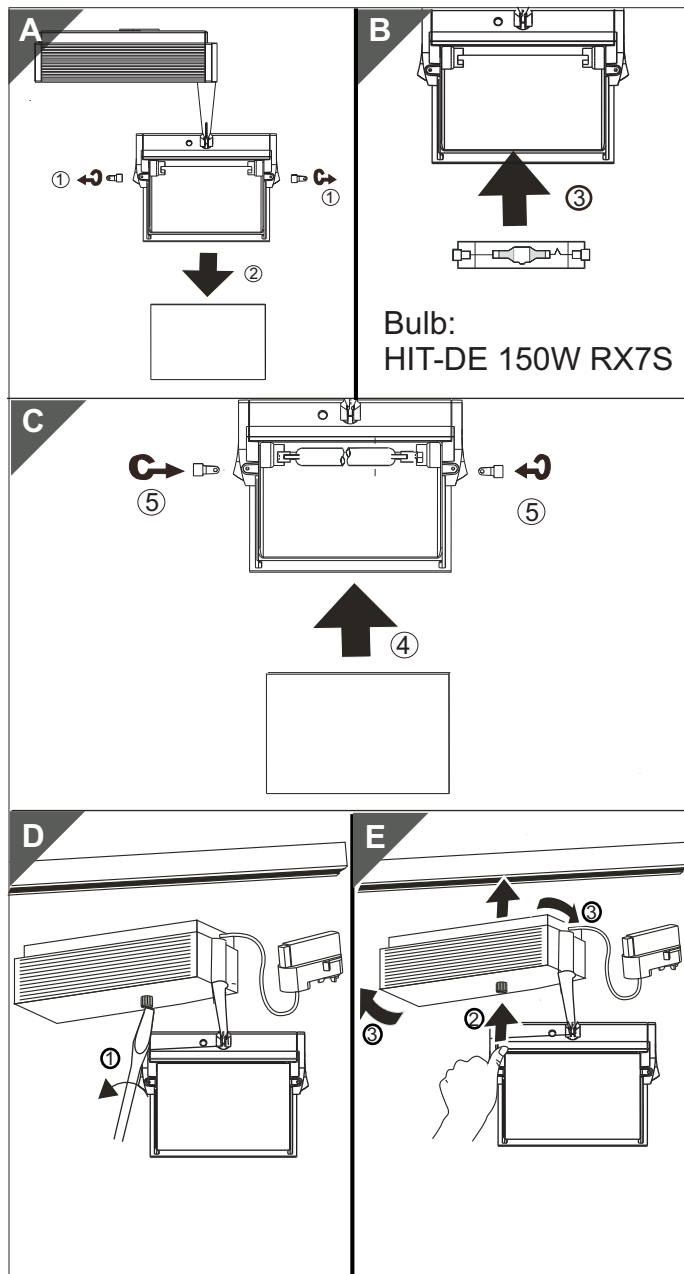
## DIMENSIONS



## ANGLE ADJUSTMENT



## LAMP INSTALLATION



Bulb:  
HIT-DE 150W RX7S

## FIXTURE/ADAPTER MOUNTING

