

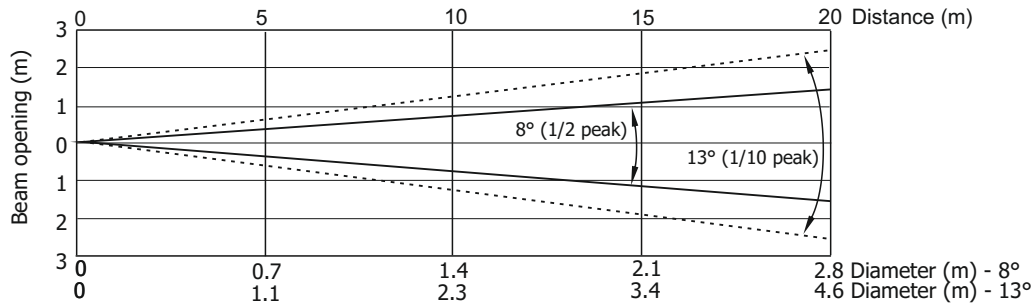
Robin T1 Fresnel

Photometric Diagrams

Standard CRI (80)

Min. zoom

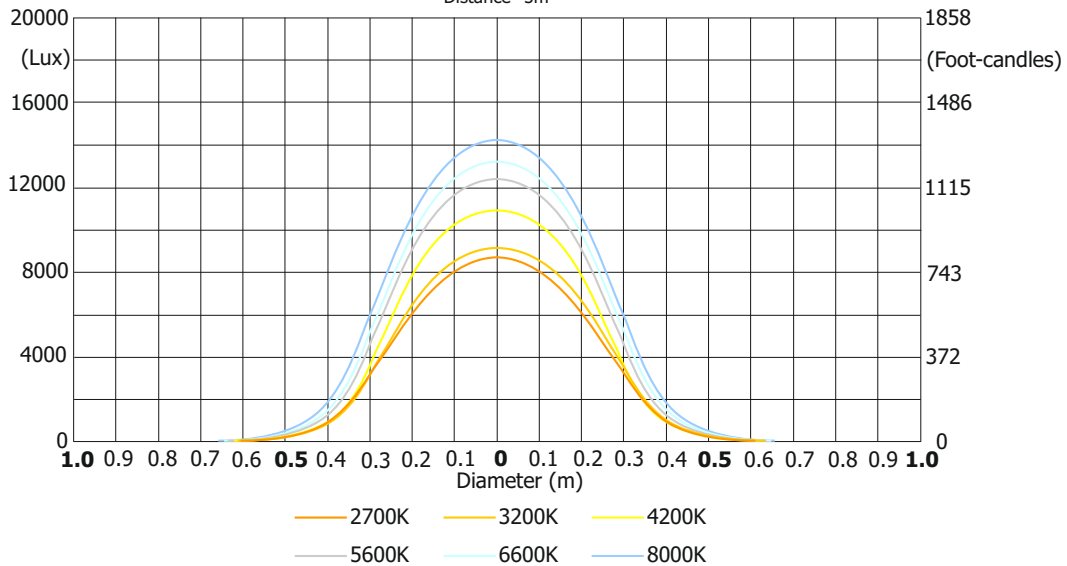
Total Output: 6095 lumens @ 8000K



Distance (m)	5	8	10	12	14	16	18	20	
White 2700K	8720/810	3406/317	2180/203	1514/141	1112/103	852/79	673/63	545/51	Intensity (center) Lux/Footcandles
White 3200K	9160/851	3578/332	2290/213	1590/148	1168/108	895/83	706/66	572/53	
White 4200K	11100/1031	4336/403	2775/258	1927/179	1415/132	1084/101	856/80	694/65	
White 5600K	12500/1161	4882/454	3125/290	2170/202	1594/148	1220/113	965/90	781/73	
White 6600K	13400/1245	5234/486	3350/311	2326/216	1709/159	1309/122	1034/96	838/79	
White 8000K	14100/1310	5507/512	3525/328	2448/227	1798/167	1377/128	1088/101	881/82	

Illuminance distribution

Distance=5m



Fixture settings:

DMX Mode: 3
 Colour calibration mode: On
 Colour mixing mode: RGB
 Chromatic White: Off
 Light Output Stability: Off
 Output Uniformity: Off
 CRI: Standard

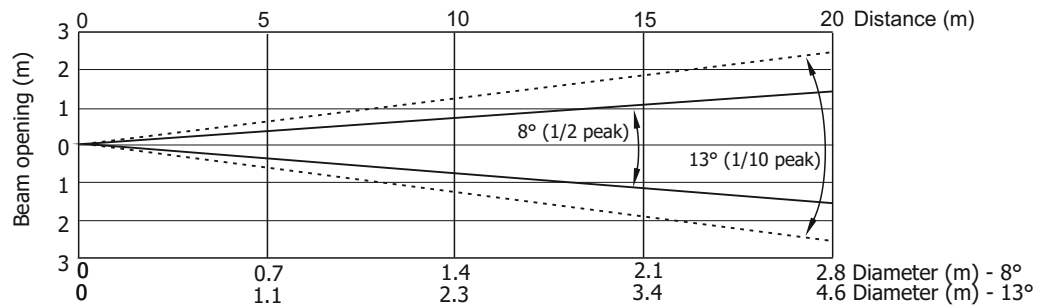
Robin T1 Fresnel

Photometric Diagrams

High CRI (≥ 90)

Min. zoom

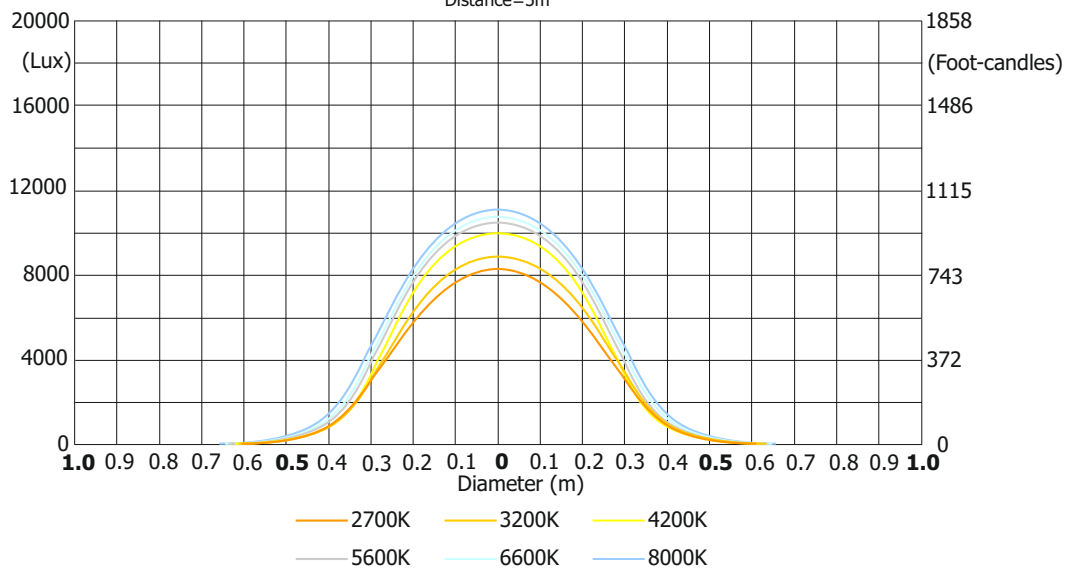
Total Output: 4876 lumens @ 8000K



Distance (m)	5	8	10	12	14	16	18	20	
White 2700K	8310/772	3246/302	2077/193	1443/134	1060/99	811/75	641/60	520/48	Intensity (center) Lux/Footcandles
White 3200K	9150/850	3574/332	2288/213	1588/148	1167/108	893/83	706/66	572/53	
White 4200K	10000/929	3906/363	2500/232	1736/161	1276/119	977/91	771/72	625/58	
White 5600K	10500/976	4102/381	2625/244	1822/169	1339/124	1025/95	810/75	656/61	
White 6600K	10600/985	4140/385	2650/246	1840/171	1352/126	1035/96	818/76	663/62	
White 8000K	10800/1003	4219/392	2700/251	1875/174	1377/128	1054/98	833/77	675/63	

Illuminance distribution

Distance=5m



Fixture settings:

- DMX Mode: 3
- Colour calibration mode: On
- Colour mixing mode: RGB
- Chromatic White: Off
- Light Output Stability: Off
- Uniformity: Off
- CRI: High

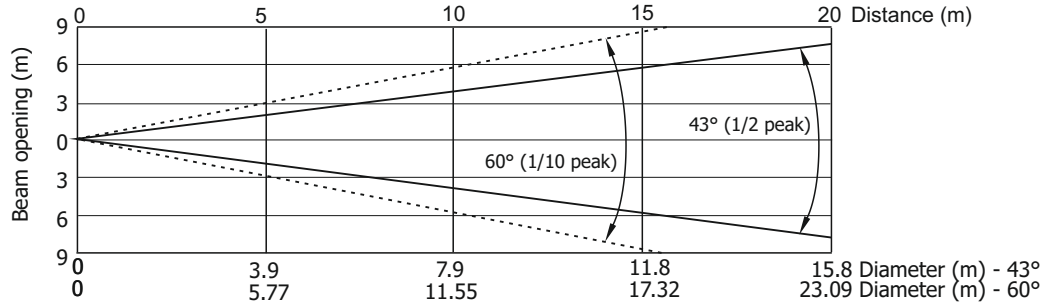
Robin T1 Fresnel

Photometric Diagrams

Standard CRI (80)

Max. zoom

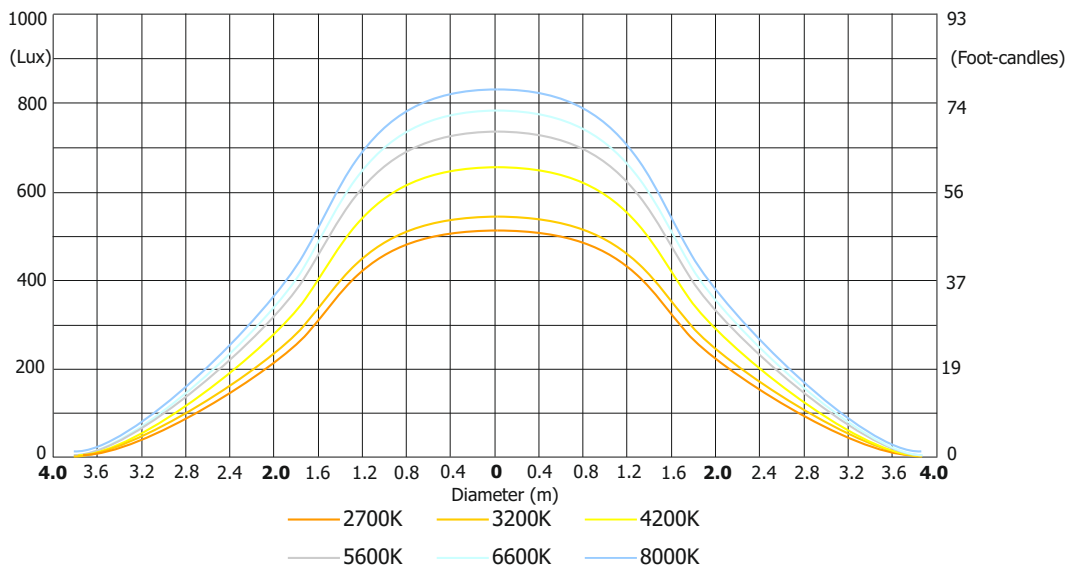
Total Output: 10320 lumens @ 8000K



Distance (m)	5	8	10	12	14	16	18	20	
White 2700K	517/48	202/19	129/12	90/8	66/6.1	50/4.7	40/3.7	32/3	Intensity (center) Lux/Footcandles
White 3200K	550/51	215/20	138/13	96/9	70/6.4	53/4.9	42/3.9	34/3.2	
White 4200K	656/61	256/24	164/15	114/11	84/8	64/6	51/4.7	41/3.8	
White 5600K	734/68	287/27	184/17	127/12	94/9	72/6.7	57/5.3	46/4.3	
White 6600K	780/73	305/28	195/18	135/13	100/9.2	76/7	60/5.6	49/4.5	
White 8000K	833/77	325/30	208/19	145/13	106/10	81/7.6	64/6	52/4.8	

Illuminance distribution

Distance=5m



Fixture settings:

DMX Mode: 3
 Colour calibration mode: On
 Colour mixing mode: RGB
 Chromatic White: Off
 Light Output Stability: Off
 Uniformity: Off
 CRI: Standard

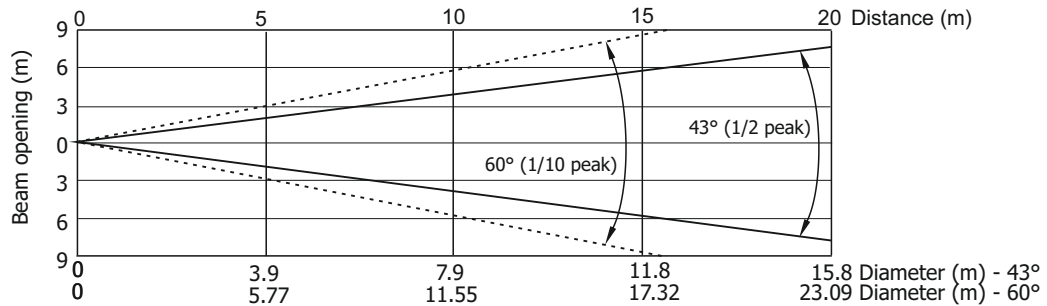
Robin T1 Fresnel

Photometric Diagrams

High CRI (≥ 90)

Max. zoom

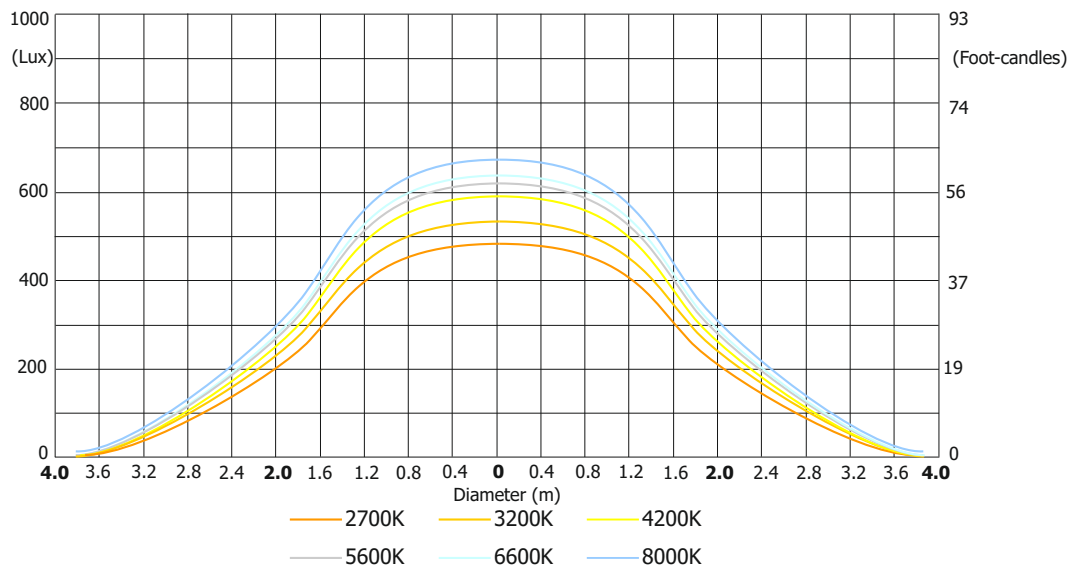
Total Output: 8256 lumens @ 8000K



Distance (m)	5	8	10	12	14	16	18	20	
White 2700K	484/45	189/18	121/11	84/8	62/5.7	47/4.4	37/3.5	30/2.8	Intensity (center) Lux/Footcandles
White 3200K	545/51	213/20	136/13	95/9	70/6.5	53/4.9	42/3.9	34/3.2	
White 4200K	593/55	232/22	148/14	103/10	76/7	58/5.4	46/4.3	37/3.4	
White 5600K	619/58	242/23	155/14	108/10	79/7	60/5.6	48/4.4	39/3.6	
White 6600K	623/58	243/23	156/15	108/10	80/7.4	61/5.7	48/4.5	39/3.6	
White 8000K	663/62	259/24	166/15	115/11	85/8	65/6	51/4.8	41/3.8	

Illuminance distribution

Distance=5m



Fixture settings:

DMX Mode: 3
 Colour calibration mode: On
 Colour mixing mode: RGB
 Chromatic White: Off
 Light Output Stability: Off
 Uniformity: Off
 CRI: High

Copyright © 2019 Robe Lighting s.r.o. - All rights reserved
 All Specifications subject to change without notice